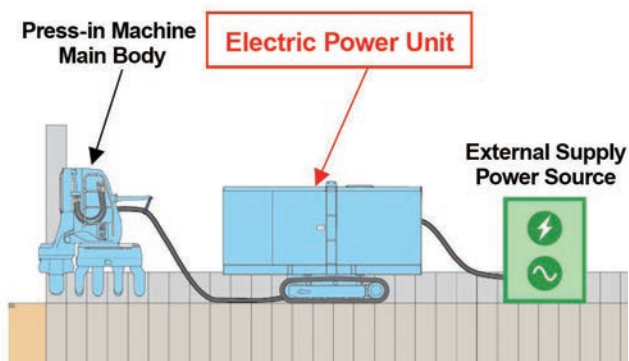
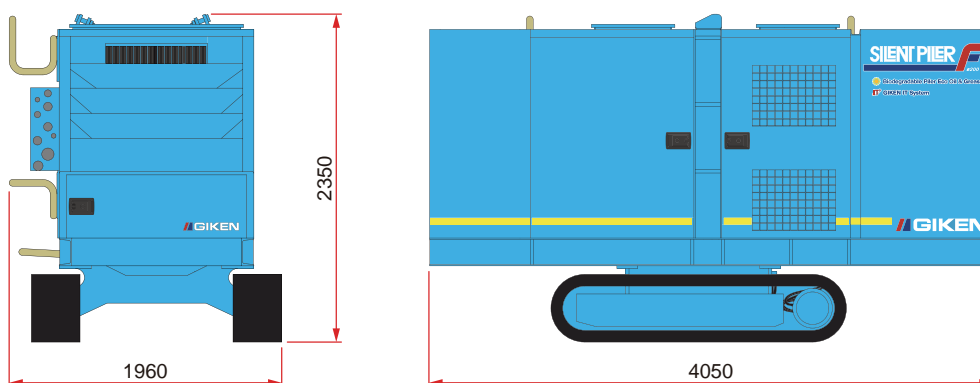


Electric Power Unit MU200



Dimensions & Specifications



Electric Power Unit	MU200
Rated output	200 kW (272 ps)
Hydraulic oil reservoir capacity	490 L
Power supply method	Commercial power or generator (Capacity: 300 kVA or more)
Voltage	3P 380-400 VAC (50 Hz) 400-440 VAC (60 Hz)
Overall length	4050 mm
Overall width	1960 mm
Overall height	2350 mm
Total mass (with crawler)	7050 kg (for 20 m hose)

MU200 compatible models *Sold in the EU countries.

SILENT PILER™ F201, F301-700, F401-1400, GYRO PILER™ F301-G1000

*Subject to change due to ongoing development.